

## EUROSHIELD RFD-F/A-100 SWING DOORS

ETS-Lindgren's RFD-F/A-100 Swing Doors meet the performance of the standard 100-type doors (RFD-100) up to 40 GHz and are specifically designed for the additional load of ferrites and short absorbers (max. 50 kg/m<sup>2</sup> or 10.2 lbs./ft<sup>2</sup>).

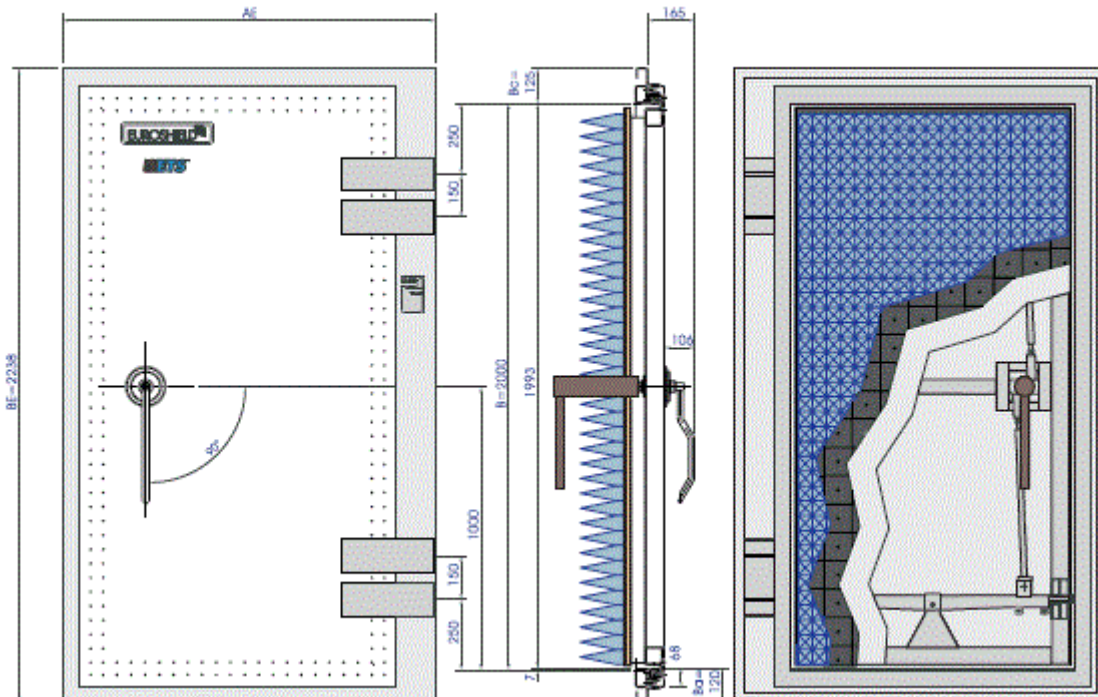


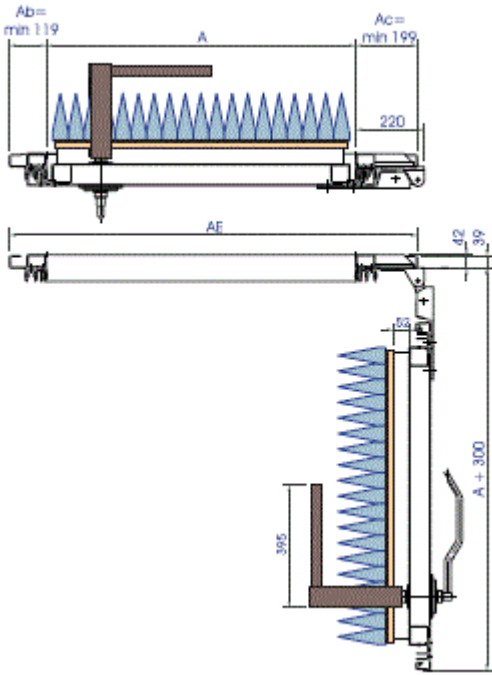
ETS-Lindgren's RFD-F/A-100 Swing Doors meet the performance of the standard 100-type doors (RFD-100) up to 40 GHz and are specifically designed for the additional load of ferrites and short absorbers (max. 50 kg/m<sup>2</sup> or 10.2 lbs./ft<sup>2</sup>). Maximum length of foam absorbers is 400 mm (15.74 in) everywhere, except around the handle area. The rigid inner plate allows the mounting of the ferrites/absorbers directly onto the door while making it possible to still perform maintenance on the door. The ferrite tiles/absorbers are not included in the standard delivery. The RFD-100 is also available, without designs for the additional load of ferrites and absorbers.

The double hinges guarantee the proper functioning of the heavy load door. The RFD-F/A-100 interior door handle is made of bakelite utilizes a unique extension to accommodate the pyramid absorbers. For quicker and easier operation, the handle can be installed so that it is at horizontal position when the door is closed. In a manual configuration, the operating mechanism releases the RF-tight seals. For all the F/A-type doors with a width exceeding 1.2 m (3.94 ft), the ETS-Lindgren pneumatic opening/closing system is recommended for easier door operation.

The exterior finish of the door leaf of the RFD-F/A-100 swing doors is a painted finish (standard color white RAL 9010). There are two standard door sizes available:

- 1200mm x 2100mm (4' x 7')
- 900mm x 2100mm (3' x 7')





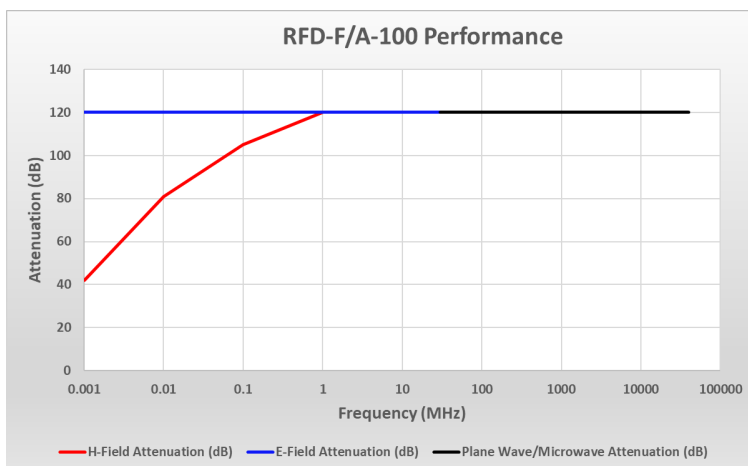
| Standard clear opening sizes in mm |      |      |      |      |
|------------------------------------|------|------|------|------|
| A                                  | 800  | 1000 | 1200 | 1200 |
| B                                  | 2000 | 2000 | 2000 | 2100 |

The dimensions in the drawing apply to the standard sizes

## Key Features

- Patented Labyrinth Sealing Construction
- Lightweight; Easy to Operate
- Ideal Metal-to-metal Contact Between the Door Leaf and the Frame
- Specially Designed to Accommodate the Additional Load of Ferrites (max. 50 kg/m<sup>2</sup> or 10.2 lbs/ft<sup>2</sup>)

## Product Charts



**4TECT**  
 OOO "4TECT"  
 +7(499)685-44-44  
 info@4test.ru  
 www.4test.ru

**ETS-LINDGREN**  
 An ESCO Technologies Company